

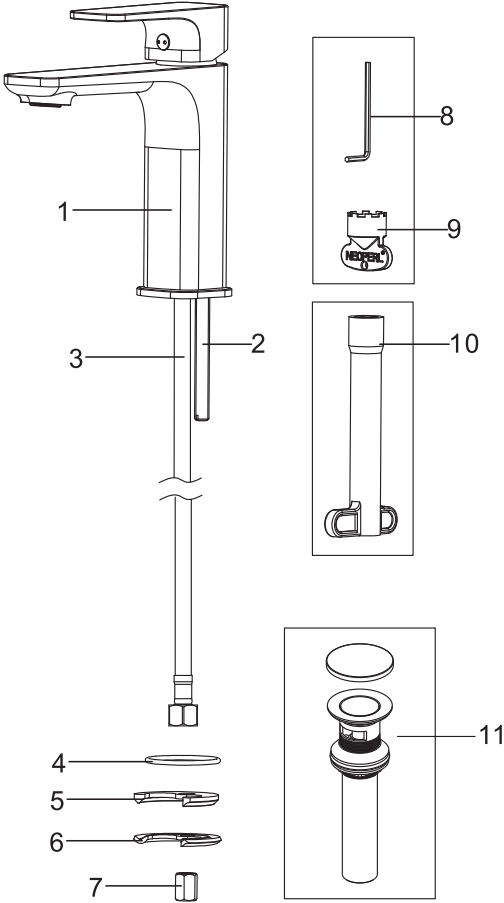
Karran[®]

INSTALLATION GUIDE

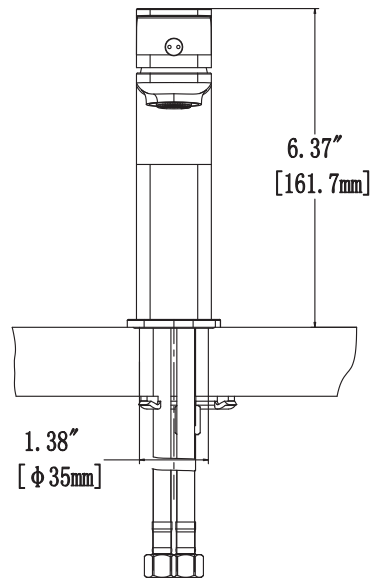
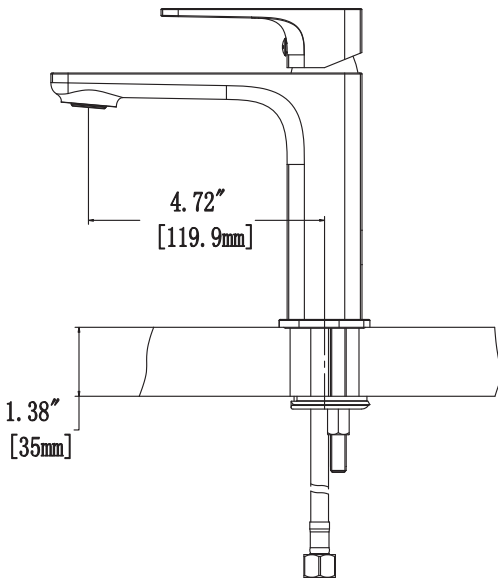


Venda

Models: KBF510C KBF510SS
KBF510MB

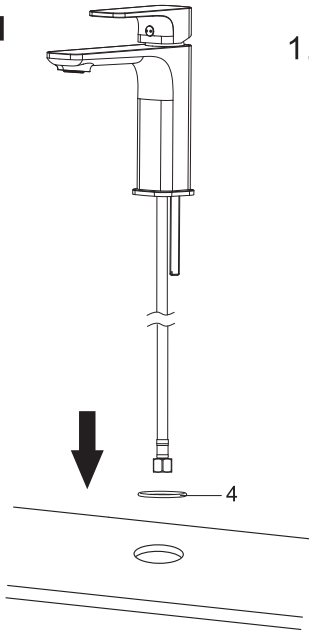


1. Faucet Body
2. Screw
3. Supply Lines
4. O-ring
5. Rubber Washer
6. Clamp
7. Nut
8. Allen Key
9. Aerator Wrench
10. Nut Socket Wrench
11. Pop-up Drain



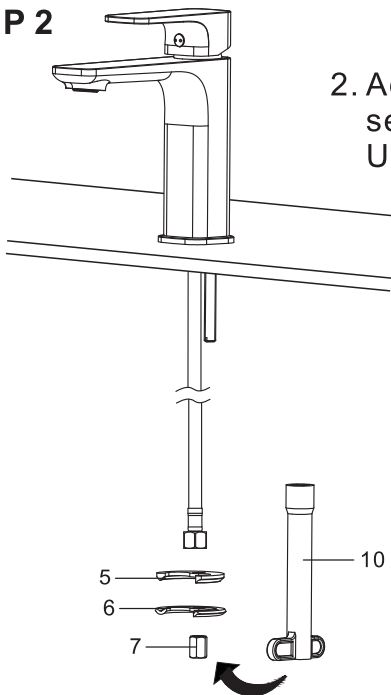
INSTALLATION GUIDE

STEP 1



1. Position the faucet, o-ring (#4) on the installation surface.

STEP 2

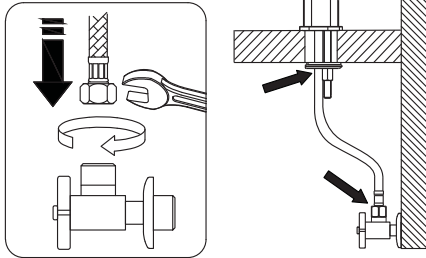


2. Adjust the position of the faucet and secure it with the fixing kit (#5, #6, #7). Use wrench to securely tighten nut.

INSTALLATION GUIDE

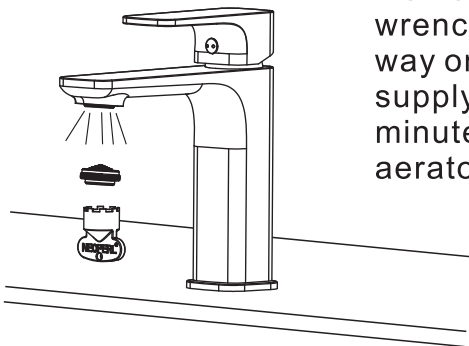
STEP 3

3. Connect the water lines to the supply valves tightly. Turn on the valves and check all connections at arrows for leaks, re-tighten it if necessary.



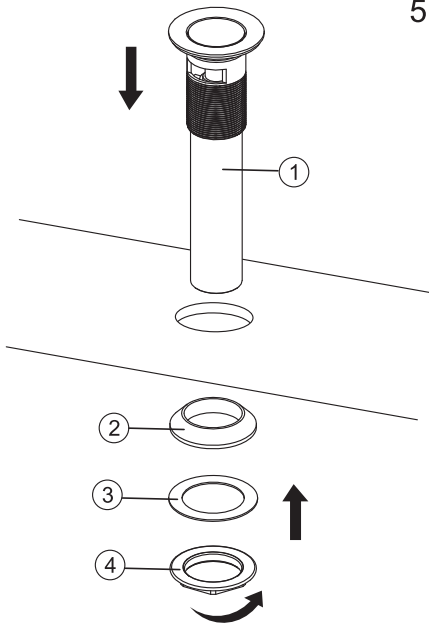
STEP 4

4. Remove the aerator using the aerator wrench. Turn the faucet handle all the way on, turn on hot and cold water supply and flush water lines for one minute. Reinstall aerator using the aerator wrench.



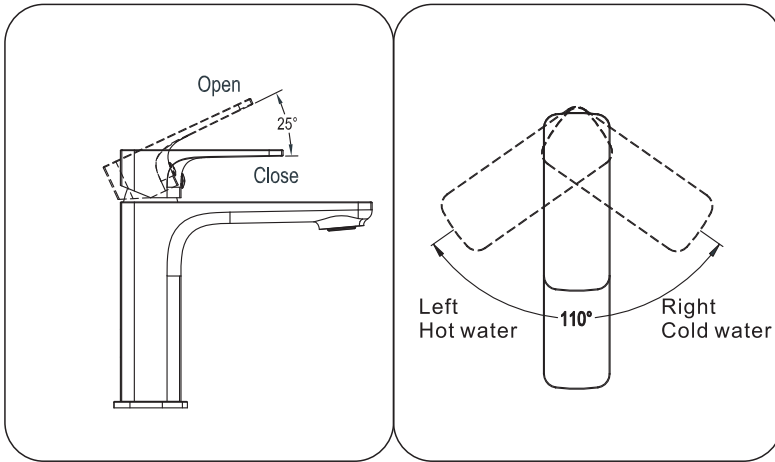
INSTALLATION GUIDE

STEP 5



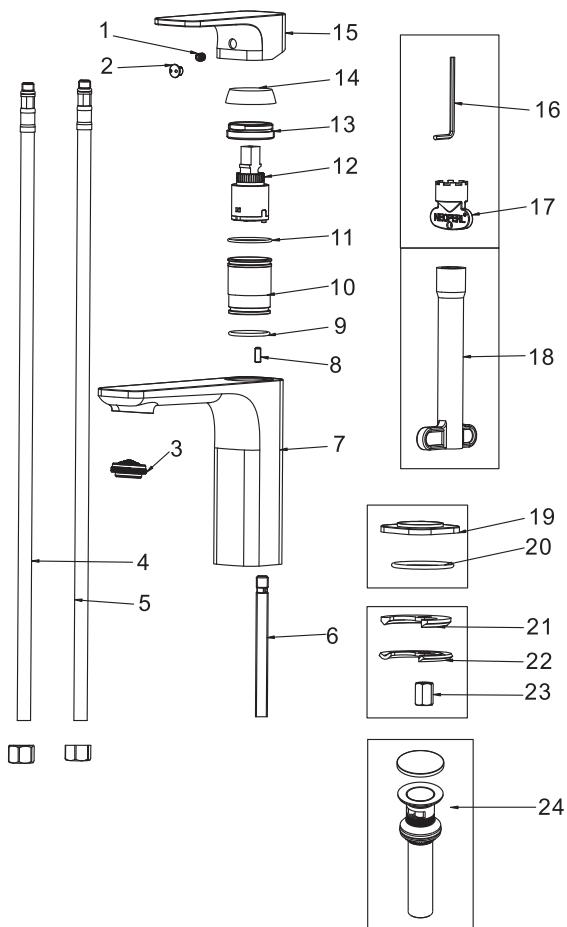
5. From the top of the drain hole, place the drain ① through the installation hole. From under the drain hole, install the thick washer ②, washer ③ and nut ④ by hand twisting on to the tail pipe of the drain. Then, install the tail pipe to the wall plumbing. Use of plumbers putty or silicone is recommended to seal drain ① to top side of bowl.

How to operate the handle:



1. Open the handle lever to turn water on. Push to turn off.
2. Turn the handle lever to the left to increase hot water flow with higher water temperature. Lower the water temperature by operating reversely.

REPLACEMENT PARTS



No.	Description	Finish/Color	Item No.
1	Screw		8EM5X6
2	Index		80N81051
3	Aerator		80M24123NP17
4	Supply Line		G69703SR02
5	Supply Line		G69703SR03
6	Screw		8BM8X110B2
7	Body	C,SS,MB	50T16E98DQ
8	Screw		8EM4X10
9	O-ring		8J28X2A
10	Cartridge Seat		51T16E98DQ
11	O-ring		8J30X15A
12	Cartridge		J10250MZ00
13	Lock Nut		5YG16E98
14	Trim Cap		8ZG12A90
15	Handle	C,SS,MB	50P25WMD2
16	Allen Key		8BS25
17	Aerator Wrench		80P00013
18	Nut Socket Wrench		81T16000
19	Base	C,SS,MB	5DZ16E98
20	O-ring		8J42X25
21	Rubber Washer		81N11071K
22	Clamp		80N11071K
23	Nut		8NM8X15
24	Pop-up Drain		C21026

*Denotes faucet component color options:

C - Chrome

SS - Stainless Steel

MB - Matte Black